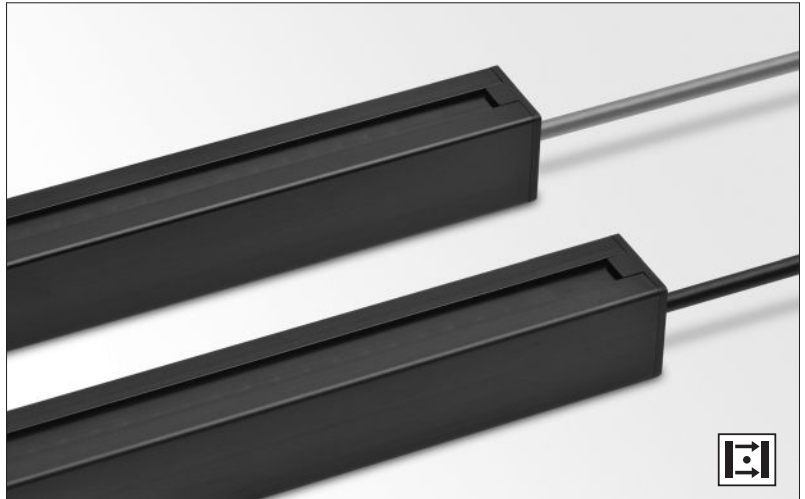


Description

- 0-10 metre sensing range
- 12 to 384 channels
- Available with channel spacing of 5, 10 or 20 mm
- Active length of 225 mm to 1920 mm
- Housing length of 300 mm to 1980 mm
- Plug connection
- 18-30 V dc supply voltage
- Power, output and system status indicators
- 33x36 mm aluminium housing with T-slot mounting
- High tolerance to hostile environments
- RS-485 serial communication
- Up to 4 digital outputs with software configurable functions
- Analogue output 4-20 mA and 0-10 V with software and control wire configurable function
- PC software for programmable configuration and monitoring



The SS 02 series is an advanced, industrial measuring light curtain system which consists of a self-contained transmitter SST and receiver SSR, which can either be positioned opposite or next to each other for thru beam or diffuse proximity mode. The detectors are housed in sturdy aluminium profiles (33 x 36 mm) with T-slot mounting rail, available in lengths ranging from 300 mm to 1980 mm.

The SS 02 series is a highly advanced light curtain system that supports a wide range of geometrical analysis functions which may be used for measurement, positioning and monitoring functions. The system is fully programmable with the use of Telco's user friendly PC software via RS-485 serial communication, connected with a USB converter. The graphical user interface allows a wide range of parameters and settings to be programmed and monitored in the connected light curtain system. These selectable/adjustable settings include: scan mode, operation mode, gain control/mode, hysteresis, blanking function and smoothing

(pre-filtering) function. The light curtain offers a 2-wire analogue output (4-20 mA or 0-10 V) and up to four individual digital outputs which can be individually configured with a selection of a wide range of measurement and output conditions. A digital input is included to switch between two different output readings on the analogue output.

The software displays a graphical representation of the individual light beams status in real time, and indication of the individual output/input status. Configuration of a light curtain can be saved and loaded into other light curtains for simplified configuration of multiple systems.

A test input in the SST may be used for either disabling or enabling the transmitting power temporarily for test purposes. The transmitter and receiver are electrically synchronised by wire connection. Both transmitter and receiver detectors are protected against reverse polarity of power supplies, control inputs and output signals. Output is protected against short circuit and inductive loads.

Technical Data						
		SST			SSR	
Supply voltage		18-30 V dc				
Current consumption		100 mA			75 mA	
Digital output	Type	-			NPN or PNP	
	Max. Load	-			100 mA	
Analogue output	Type	-			4-20 mA / 0-10 V (software selectable)	
	Current output load	-			<1 kOhm	
	Voltage output load	-			>1 kOhm	
	Bit resolution	-			16 bit	
RS-485 communication port		-			Yes	
Light source		Infrared (880 nm)			-	
Channel spacing		5 mm	10 mm	20 mm	5 mm	10 mm 20 mm
Number of channels (diodes per detector)		48 ... 384	24 ... 192	12 ... 96	48 ... 384	24 ... 192 12 ... 96
Number of beams	Parallel	48 ... 384	24 ... 192	12 ... 96	48 ... 384	24 ... 192 12 ... 96
	Cross	142 ... 1150	70 ... 574	34 ... 286	142 ... 1150	70 ... 574 34 ... 286
Active length		225 ... 1920 mm				
Housing length		300 ... 1980 mm				
Max. response time		-			(N x 120 µs) + 2 ms	
Power on indicator		Green LED				
Output indicator		-			Yellow LED	
System status indicator		-			Red LED	
Housing dimensions (w x d)		33 x 36 mm				
Housing material	Profile	Aluminium (black anodised)				
	Lens cover	Polycarbonate				
Connection Cable, PVC Ø 5,9 mm		0,5 m cable with 5 pin, M12 plug			0,5 m cable with 12 pin, M12 plug	

Note: "N" is equal to the number of beams (parallel or crossed).

Environmental Data		SST	SSR
Vibration		10-55 Hz, 0,5 mm	
Shock		30 g	
Light immunity @ 5° incidence		-	> 100 000 lux
Temperature, operation		-30 to +60 °C	
Temperature, storage		-40 to +80 °C	
Sealing class		IP 67	
Approvals		CE	

Available Types									
	Housing Length	Active Length	Number of Channels	Number of Beams Parallel / Cross	Channel Spacing	Connection	0.5 m cable with 5 pin, M12 plug	Range	
						Output	Order Reference		
Transmitter	300 mm	240 mm	48	48 / 142	5 mm	-	-	-	SST 02-030-048-05-H-1D1-0.5-J5
	380 mm	320 mm	64	64 / 190					SST 02-038-064-05-H-1D1-0.5-J5
	460 mm	400 mm	80	80 / 238					SST 02-046-080-05-H-1D1-0.5-J5
	540 mm	480 mm	96	96 / 286					SST 02-054-096-05-H-1D1-0.5-J5
	620 mm	560 mm	112	112 / 334					SST 02-062-112-05-H-1D1-0.5-J5
	700 mm	640 mm	128	128 / 382					SST 02-070-128-05-H-1D1-0.5-J5
	860 mm	800 mm	160	160 / 478					SST 02-086-160-05-H-1D1-0.5-J5
	1020 mm	960 mm	192	192 / 574					SST 02-102-192-05-H-1D1-0.5-J5
	1180 mm	1120 mm	224	224 / 670					SST 02-118-224-05-H-1D1-0.5-J5
	1340 mm	1280 mm	256	256 / 766					SST 02-134-256-05-H-1D1-0.5-J5
	1500 mm	1440 mm	288	288 / 862					SST 02-150-288-05-H-1D1-0.5-J5
	1660 mm	1600 mm	320	320 / 958					SST 02-166-320-05-H-1D1-0.5-J5
	1820 mm	1760 mm	352	352 / 1054					SST 02-182-352-05-H-1D1-0.5-J5
	1980 mm	1920 mm	384	384 / 1150					SST 02-198-384-05-H-1D1-0.5-J5
	300 mm	235 mm	24	24 / 70					10 mm
	380 mm	315 mm	32	32 / 94	SST 02-038-032-10-H-1D1-0.5-J5				
	460 mm	395 mm	40	40 / 118	SST 02-046-040-10-H-1D1-0.5-J5				
	540 mm	475 mm	48	48 / 142	SST 02-054-048-10-H-1D1-0.5-J5				
	620 mm	555 mm	56	56 / 166	SST 02-062-056-10-H-1D1-0.5-J5				
	700 mm	635 mm	64	64 / 190	SST 02-070-064-10-H-1D1-0.5-J5				
	860 mm	795 mm	80	80 / 238	SST 02-086-080-10-H-1D1-0.5-J5				
	1020 mm	955 mm	96	96 / 286	SST 02-102-096-10-H-1D1-0.5-J5				
	1180 mm	1115 mm	112	112 / 334	SST 02-118-112-10-H-1D1-0.5-J5				
	1340 mm	1275 mm	128	128 / 382	SST 02-134-128-10-H-1D1-0.5-J5				
	1500 mm	1435 mm	144	144 / 430	SST 02-150-144-10-H-1D1-0.5-J5				
	1660 mm	1595 mm	160	160 / 478	SST 02-166-160-10-H-1D1-0.5-J5				
	1820 mm	1755 mm	176	176 / 526	SST 02-182-176-10-H-1D1-0.5-J5				
	1980 mm	1915 mm	192	192 / 574	SST 02-198-192-10-H-1D1-0.5-J5				
	300 mm	225 mm	12	12 / 34	20 mm	-	-	-	
	380 mm	305 mm	16	16 / 46					SST 02-038-016-20-H-1D1-0.5-J5
	460 mm	385 mm	20	20 / 58					SST 02-046-020-20-H-1D1-0.5-J5
	540 mm	465 mm	24	24 / 70					SST 02-054-024-20-H-1D1-0.5-J5
	620 mm	545 mm	28	28 / 82					SST 02-062-028-20-H-1D1-0.5-J5
	700 mm	625 mm	32	32 / 94					SST 02-070-032-20-H-1D1-0.5-J5
	860 mm	785 mm	40	40 / 118					SST 02-086-040-20-H-1D1-0.5-J5
	1020 mm	945 mm	48	48 / 142					SST 02-102-048-20-H-1D1-0.5-J5
	1180 mm	1105 mm	56	56 / 166					SST 02-118-056-20-H-1D1-0.5-J5
	1340 mm	1265 mm	64	64 / 190					SST 02-134-064-20-H-1D1-0.5-J5
	1500 mm	1425 mm	72	72 / 214					SST 02-150-072-20-H-1D1-0.5-J5
	1660 mm	1585 mm	80	80 / 238					SST 02-166-080-20-H-1D1-0.5-J5
	1820 mm	1745 mm	88	88 / 262					SST 02-182-088-20-H-1D1-0.5-J5
	1980 mm	1905 mm	96	96 / 286					SST 02-198-096-20-H-1D1-0.5-J5

Available Types								
	Housing Length	Active Length	Number of Channels	Number of Beams Parallel / Cross	Channel Spacing	Connection	Range	
						Output		0.5 m cable with 12 pin, M12 plug Order Reference
Receiver	300 mm	240 mm	48	48 / 142	5 mm	Refer to Available Output Configurations Table	SSR 02-030-048-05-H-UUK-ZZW-0.5-J12	0-10 m
	380 mm	320 mm	64	64 / 190			SSR 02-038-064-05-H-UUK-ZZW-0.5-J12	
	460 mm	400 mm	80	80 / 238			SSR 02-046-080-05-H-UUK-ZZW-0.5-J12	
	540 mm	480 mm	96	96 / 286			SSR 02-054-096-05-H-UUK-ZZW-0.5-J12	
	620 mm	560 mm	112	112 / 334			SSR 02-062-112-05-H-UUK-ZZW-0.5-J12	
	700 mm	640 mm	128	128 / 382			SSR 02-070-128-05-H-UUK-ZZW-0.5-J12	
	860 mm	800 mm	160	160 / 478			SSR 02-086-160-05-H-UUK-ZZW-0.5-J12	
	1020 mm	960 mm	192	192 / 574			SSR 02-102-192-05-H-UUK-ZZW-0.5-J12	
	1180 mm	1120 mm	224	224 / 670			SSR 02-118-224-05-H-UUK-ZZW-0.5-J12	
	1340 mm	1280 mm	256	256 / 766			SSR 02-134-256-05-H-UUK-ZZW-0.5-J12	
	1500 mm	1440 mm	288	288 / 862			SSR 02-150-288-05-H-UUK-ZZW-0.5-J12	
	1660 mm	1600 mm	320	320 / 958			SSR 02-166-320-05-H-UUK-ZZW-0.5-J12	
	1820 mm	1760 mm	352	352 / 1054			SSR 02-182-352-05-H-UUK-ZZW-0.5-J12	
	1980 mm	1920 mm	384	384 / 1150			SSR 02-198-384-05-H-UUK-ZZW-0.5-J12	
	300 mm	235 mm	24	24 / 70	10 mm	Refer to Available Output Configurations Table	SSR 02-030-024-10-H-UUK-ZZW-0.5-J12	
	380 mm	315 mm	32	32 / 94			SSR 02-038-032-10-H-UUK-ZZW-0.5-J12	
	460 mm	395 mm	40	40 / 118			SSR 02-046-040-10-H-UUK-ZZW-0.5-J12	
	540 mm	475 mm	48	48 / 142			SSR 02-054-048-10-H-UUK-ZZW-0.5-J12	
	620 mm	555 mm	56	56 / 166			SSR 02-062-056-10-H-UUK-ZZW-0.5-J12	
	700 mm	635 mm	64	64 / 190			SSR 02-070-064-10-H-UUK-ZZW-0.5-J12	
	860 mm	795 mm	80	80 / 238			SSR 02-086-080-10-H-UUK-ZZW-0.5-J12	
	1020 mm	955 mm	96	96 / 286			SSR 02-102-096-10-H-UUK-ZZW-0.5-J12	
	1180 mm	1115 mm	112	112 / 334			SSR 02-118-112-10-H-UUK-ZZW-0.5-J12	
	1340 mm	1275 mm	128	128 / 382			SSR 02-134-128-10-H-UUK-ZZW-0.5-J12	
	1500 mm	1435 mm	144	144 / 430			SSR 02-150-144-10-H-UUK-ZZW-0.5-J12	
	1660 mm	1595 mm	160	160 / 478			SSR 02-166-160-10-H-UUK-ZZW-0.5-J12	
	1820 mm	1755 mm	176	176 / 526			SSR 02-182-176-10-H-UUK-ZZW-0.5-J12	
	1980 mm	1915 mm	192	192 / 574			SSR 02-198-192-10-H-UUK-ZZW-0.5-J12	
	300 mm	225 mm	12	12 / 34	20 mm	Refer to Available Output Configurations Table	SSR 02-030-012-20-H-UUK-ZZW-0.5-J12	
	380 mm	305 mm	16	16 / 46			SSR 02-038-016-20-H-UUK-ZZW-0.5-J12	
	460 mm	385 mm	20	20 / 58			SSR 02-046-020-20-H-UUK-ZZW-0.5-J12	
	540 mm	465 mm	24	24 / 70			SSR 02-054-024-20-H-UUK-ZZW-0.5-J12	
	620 mm	545 mm	28	28 / 82			SSR 02-062-028-20-H-UUK-ZZW-0.5-J12	
	700 mm	625 mm	32	32 / 94			SSR 02-070-032-20-H-UUK-ZZW-0.5-J12	
	860 mm	785 mm	40	40 / 118			SSR 02-086-040-20-H-UUK-ZZW-0.5-J12	
	1020 mm	945 mm	48	48 / 142			SSR 02-102-048-20-H-UUK-ZZW-0.5-J12	
1180 mm	1105 mm	56	56 / 166	SSR 02-118-056-20-H-UUK-ZZW-0.5-J12				
1340 mm	1265 mm	64	64 / 190	SSR 02-134-064-20-H-UUK-ZZW-0.5-J12				
1500 mm	1425 mm	72	72 / 214	SSR 02-150-072-20-H-UUK-ZZW-0.5-J12				
1660 mm	1585 mm	80	80 / 238	SSR 02-166-080-20-H-UUK-ZZW-0.5-J12				
1820 mm	1745 mm	88	88 / 262	SSR 02-182-088-20-H-UUK-ZZW-0.5-J12				
1980 mm	1905 mm	96	96 / 286	SSR 02-198-096-20-H-UUK-ZZW-0.5-J12				

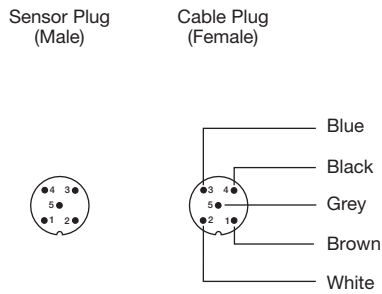
Available Output Configurations			
Type Number Designation in SSR 'UUK-ZZW'	Analogue Output	Digital Outputs	RS-485
AC2-DN2	4-20 mA / 0-10 V (2-wire)	2 x NPN	Yes
AC2-DP2	4-20 mA / 0-10 V (2-wire)	2 x PNP	Yes
ANN-DN4	None	4 x NPN	Yes
ANN-DP4	None	4 x PNP	Yes

Note: Different output configurations are available upon request.

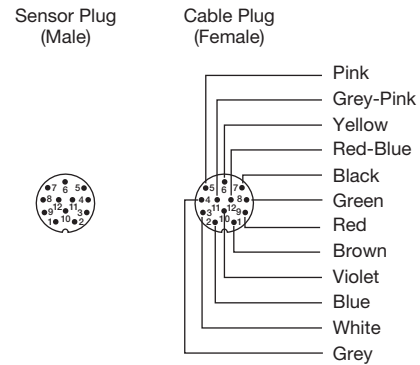
Connections

	M12 Plug / Cable	
	SST	SSR
Supply +	Pin 1 / Brown	Pin 1 / Brown
Supply -	Pin 3 / Blue	Pin 2 / Blue
Common sync +	Pin 2 / White	Pin 3 / White
Common sync -	Pin 5 / Grey	Pin 4 / Grey
Test input	Pin 4 / Black	-
Digital input 1	-	Pin 6 / Yellow
RS485 +	-	Pin 11 / Grey-Pink
RS485 -	-	Pin 12 / Red-Blue
Digital output 1	-	Pin 10 / Violet
Digital output 2	-	Pin 5 / Pink
Digital output 3 / Analogue out -	-	Pin 8 / Green
Digital output 4	-	Pin 9 / Red
Analogue out +	-	Pin 7 / Black

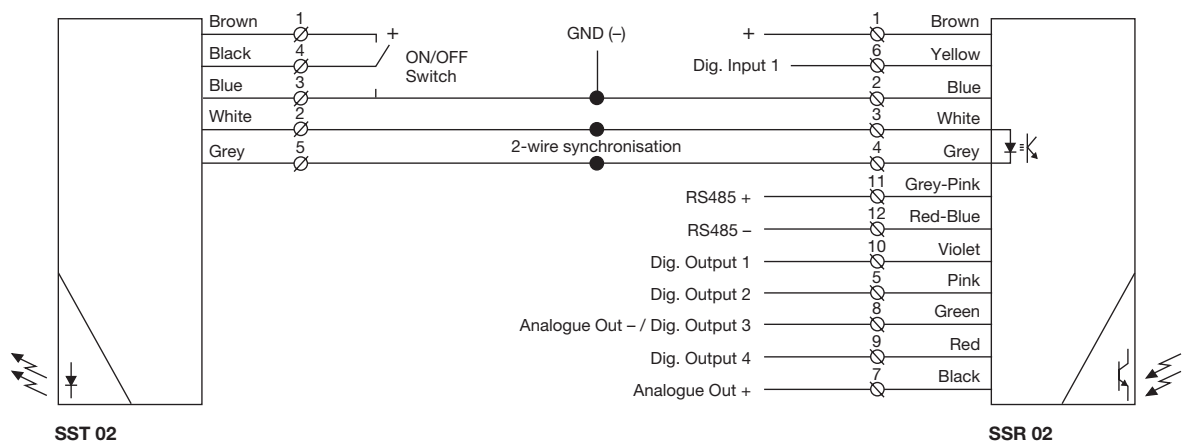
5 pin, M12



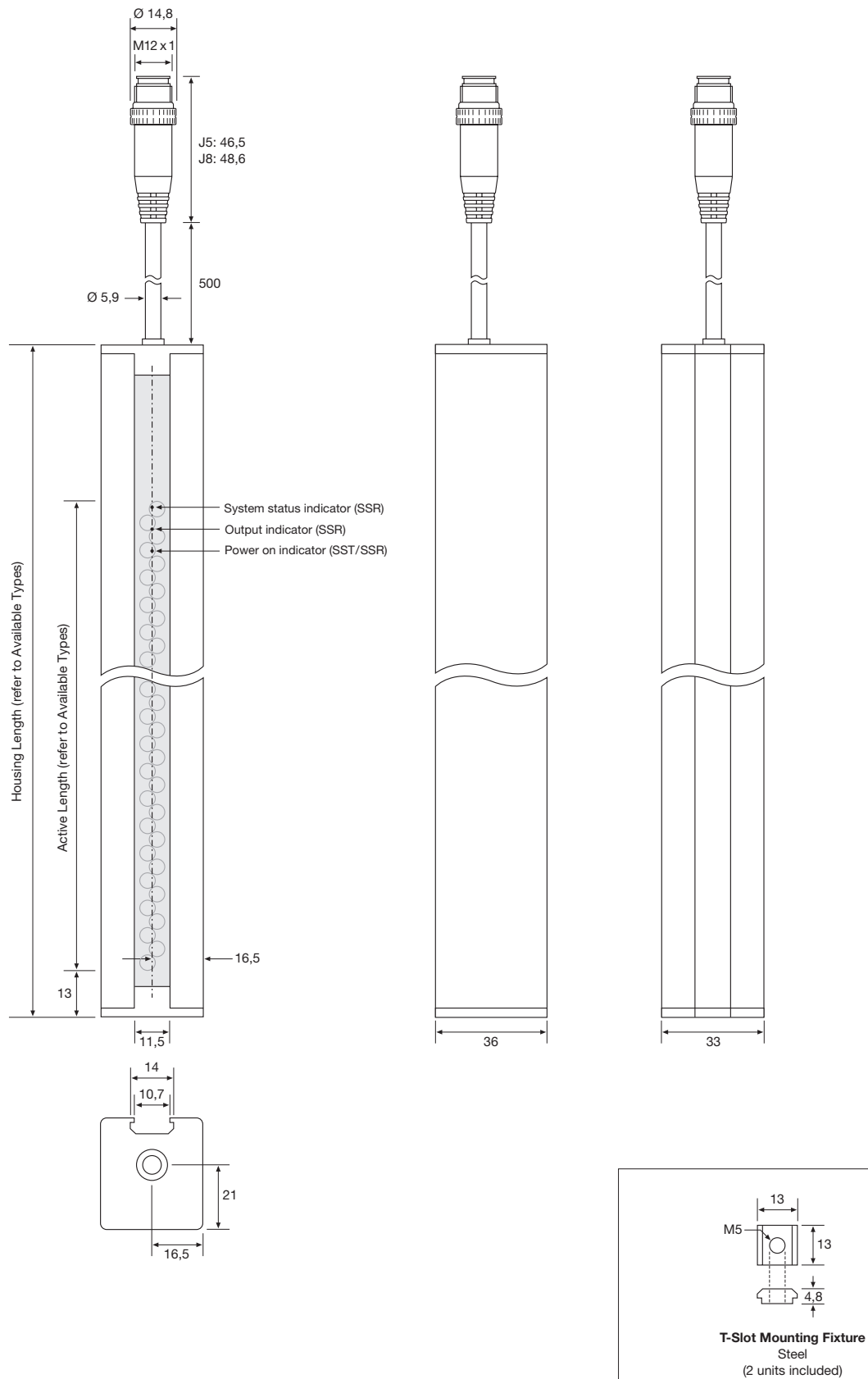
12 pin, M12



Wiring Diagrams

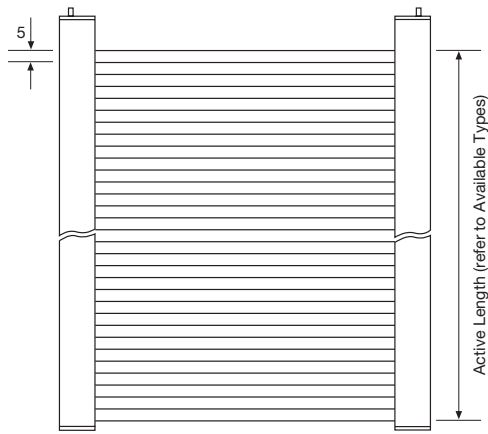


Dimensions and Descriptions

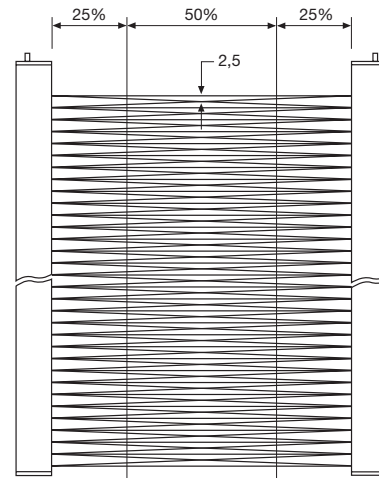


(Units in mm)

Beam Patterns

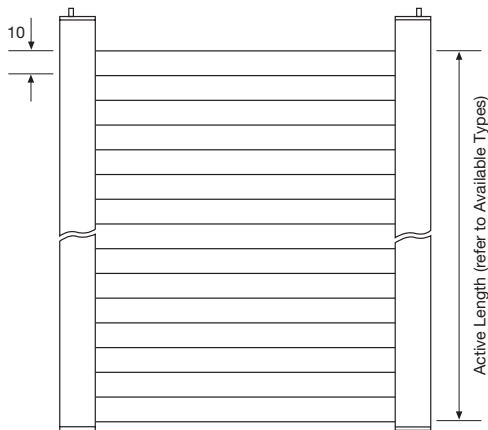


Parallel Beams

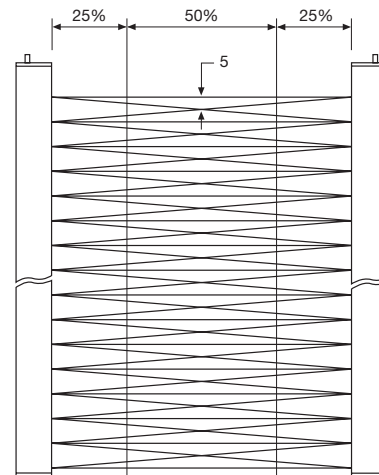


Cross Beams

5 mm channel spacing

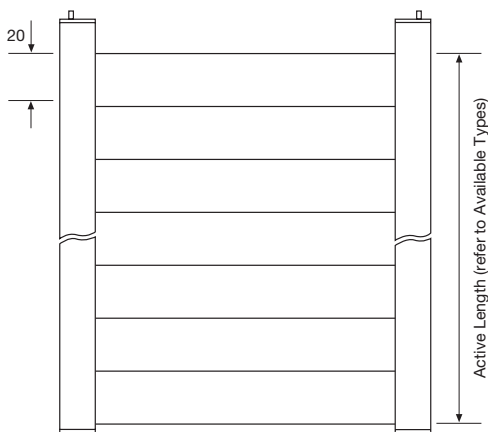


Parallel Beams

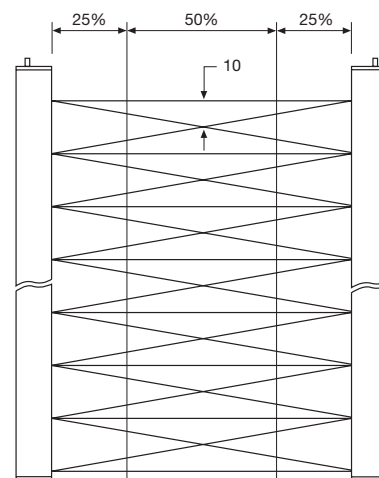


Cross Beams

10 mm channel spacing



Parallel Beams



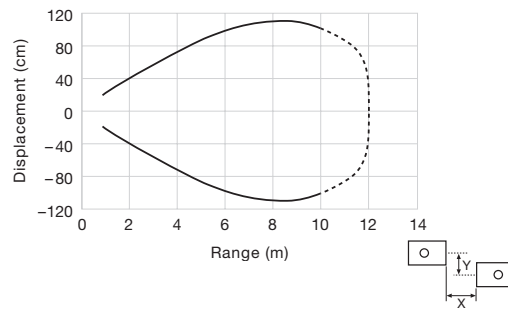
Cross Beams

20 mm channel spacing

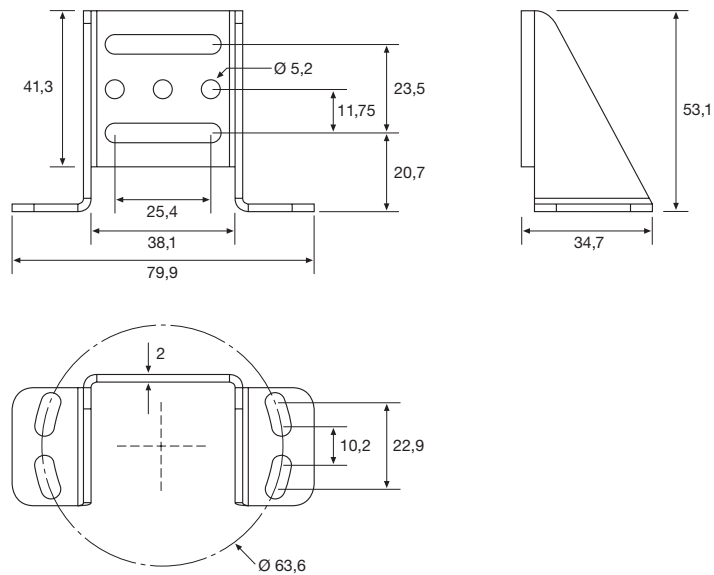
(Units in mm)

Sensing Characteristics

Parallel Displacement



Mounting Bracket



TR SS53-80 LU
Stainless steel AISI 304
(to be ordered separately)

(Units in mm)

Telco reserves the right to change specifications without notice.

Spacescan PC Programming and Monitoring

General Setup

Scan Mode

A	Settings	Function	Parameters
1	Parallel Beam Scanning	Scanning with parallel beams	Selected / Not selected
2	Cross Beam Scanning	Scanning with crossed beams	Selected / Not selected

Gain Control

B	Settings	Function	Parameters
1	Automatic Gain	Select automatic gain adjustment	Selected / Not selected
2	Manual Gain	Select manual gain adjustment	Selected / Not selected
3	Automatic Excess Gain Level	Set the excess gain level of receiver, when used in automatic gain mode	2-10
4	Manual Gain Level	Adjust the gain of the receiver	0-100 %
5	Hysteresis Level	Adjust the hysteresis level	0-35 %

Operation Mode

C	Settings	Function	Parameters
1	Digital Output INV	Invert the status of all digital outputs	Selected / Not selected
2	Hole Detection	Invert the status of all beams	Selected / Not selected

Blanking

D	Settings	Function	Parameters
1	Write to Light Curtain	Blanking specified by text is read over to the light curtain	Beam intervals
2	Measure From Light Curtain	Obstructed areas are read from light curtain and written as text in blanking text box	Beam intervals

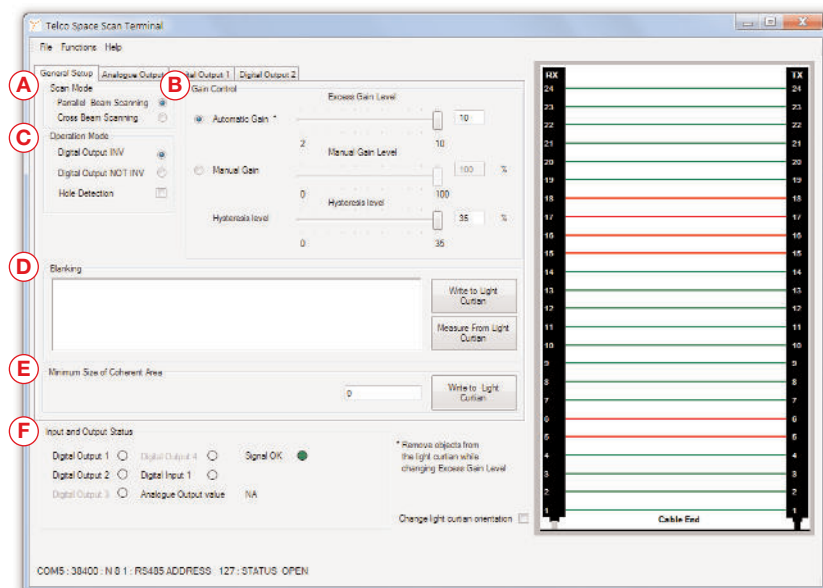
Minimum Size of Coherent Area

E	Settings	Function	Parameters
1	Write to Light Curtain	Specifies the maximum size of objects that shall be ignored	Beam number

Input and Output Status

F	Settings	Description	Indicators
1	Digital Output 1	Indicates status of digital output 1	Yellow
2	Digital Output 2	Indicates status of digital output 2	Yellow
3	Digital Output 3	Indicates status of digital output 3	Yellow
4	Digital Output 4	Indicates status of digital output 4	Yellow
5	Digital Input 1	Indicates status of digital input 1	Green
6	Analogue Output Value	Indication of the analogue output value	Beam Position / Number
7	Signal OK	Indicates a pre-warning of low signal level	Green

PC Software Screenshot



Spacescan PC Programming and Monitoring

Analogue Output

A	Settings	Function	Parameters
1	Enable Output	Output is enabled	Selected / Not selected
2	Disable Output	Output is disabled, i.e. constantly de-energised	Selected / Not selected
3	Output Type	Select between 4-10 mA current or 0-10 V voltage output	Current / Voltage

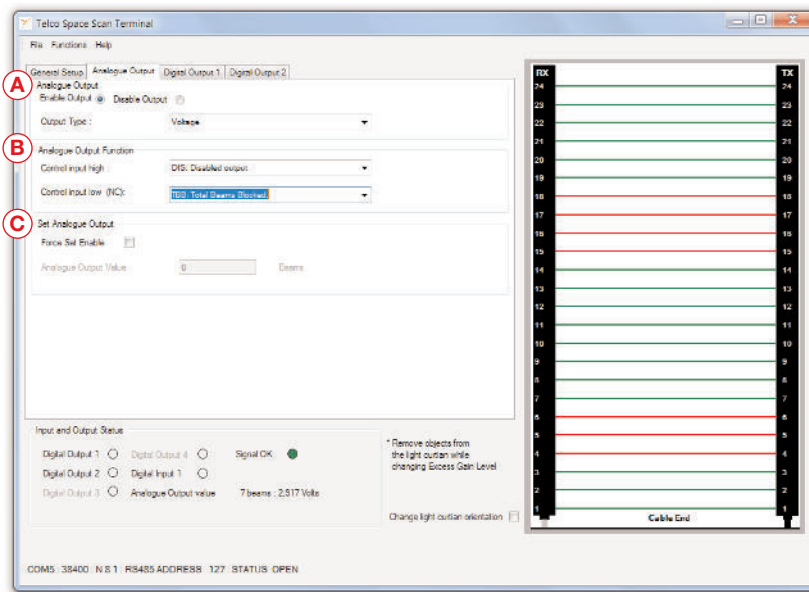
Analogue Output Function

B	Settings	Function	Parameters
1	Control Input High	Select the function that becomes active when control input is high	Function: FBB...
2	Control Input Low	Select the function that becomes active when control input is low	Function: FBB...
3	DIS: Disabled Output	Output is disabled, i.e. constantly de-energised	None
4	FBB: First Beam Blocked	Position of the first beam blocked	Beam position
5	FBM: First Beam Made	Position of the first beam made	Beam position
6	LBB: Last Beam Blocked	Position of the last beam blocked	Beam position
7	LBM: Last Beam Made	Position of the last beam made	Beam position
8	MBB: Middle Beam Blocked	Position of the (FBB+LBB) / 2 rounded to nearest integer	Beam position
9	TBB: Total Beams Blocked	Total number of beams blocked	Beam number
10	TBM: Total Beams Made	Total number of beams made	Beam number
11	CBB: Contiguous Beams Blocked	Reads out the number of beams in the largest group of adjacent beams blocked	Beam number
12	CBM: Contiguous Beams Made	Reads out the number of beams in the largest group of adjacent beams made	Beam number
13	TRN: Number of Transitions	The number of transitions in the beam pattern between made beams and blocked beams	Beam number
14	OD: Outside Dimensions	Reads out LBB - FBB+1, corresponding to the size of a single object contained in the beam pattern, counted in beam breaks	Beam number
15	ID: Inside Dimensions	Reads out the count of beams made between first beam broken and last beam broken. This corresponds to the size of a hole in a single solid object in the light curtain	Beam number
16	CFBB: Contiguous First Beam Blocked	Reads out the number of the first beam in the largest group of adjacent beams blocked	Beam position
17	CLBB: Contiguous Last Beam Blocked	Reads out the number of the last beam in the largest group of adjacent beams blocked	Beam position

Analogue Output Function

C	Settings	Function	Parameters
1	Force Set Enable	Allows the user to write values direct to the analogue output	Selected / Not selected
2	Analogue Output Value	Defines the value of the analogue output	Beam Position / Number

PC Software Screenshot



Spacescan PC Programming and Monitoring

Digital Output

A	Settings	Function	Parameters
1	Enable Output	Output is enabled	Selected / Not selected
2	Disable Output	Output is disabled, i.e. constantly de-energised	Selected / Not selected

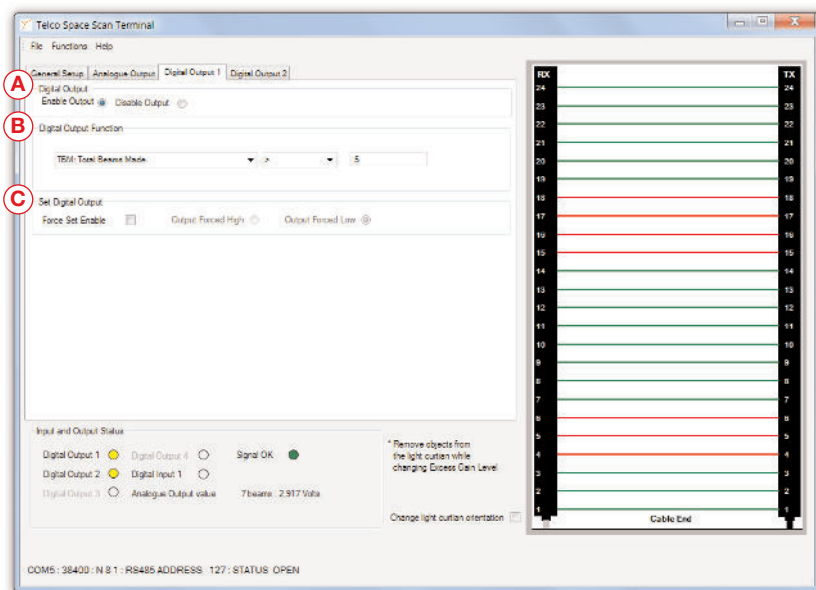
Digital Output Function

B	Settings	Function	Parameters
1	FBB: First Beam Blocked	Select output function used for comparison (same as analogue output functions)	Function: FBB...
2	ABB: Any Beam Blocked	Position of any beam blocked	None
3	DIS: Disabled Output	Output is disabled i.e. constantly de-energised	None
4	FBB: First Beam Blocked	Position of the first beam blocked	Beam position
5	FBM: First Beam Made	Position of the first beam made	Beam position
6	LBB: Last Beam Blocked	Position of the last beam blocked	Beam position
7	LBM: Last Beam Made	Position of the last beam made	Beam position
8	MBB: Middle Beam Blocked	Position of the (FBB+LBB) / 2 rounded to nearest integer	Beam position
9	TBB: Total Beams Blocked	Total number of beams blocked	Beam number
10	TBM: Total Beams Made	Total number of beams made	Beam number
11	CBB: Contiguous Beams Blocked	Reads out the number of beams in the largest group of adjacent beams blocked	Beam number
12	CBM: Contiguous Beams Made	Reads out the number of beams in the largest group of adjacent beams made	Beam number
13	TRN: Number of Transitions	The number of transitions in the beam pattern between made beams and blocked beams	Beam position
14	OD: Outside Dimensions	Reads out LBB - FBB+1, corresponding to the size of a single object contained in the beam pattern, counted in beam breaks	Beam number
15	ID: Inside Dimensions	Reads out the count of beams made between first beam broken and last beam broken. This corresponds to the size of a hole in a single solid object in the light curtain	Beam number
16	CFBB: Contiguous First Beam Blocked	Reads out the number of the first beam in the largest group of adjacent beams blocked	Beam position
17	CLBB: Contiguous Last Beam Blocked	Reads out the number of the last beam in the largest group of adjacent beams blocked	Beam position
18	">" : Operator	Select comparison	<, >, ≥, ≤, =
19	Beam Position / Number Selection	Select value to compare with	Beam Position / Number

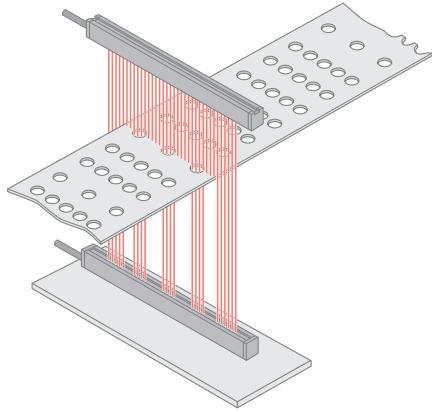
Set Digital Output

C	Settings	Function	Parameters
1	Force Set Enable	Allows the user to set the value of the digital output	Selected / Not selected
2	Output Forced High	Output is set to high	Selected / Not selected
3	Output Forced Low	Output is set to low	Selected / Not selected

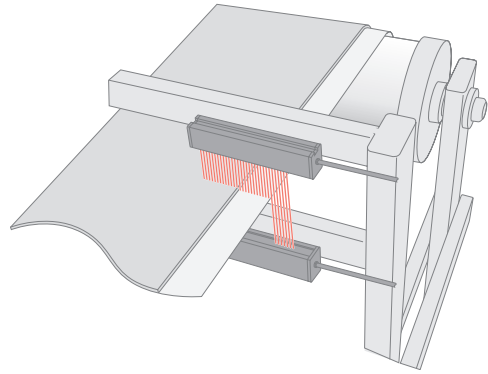
PC Software Screenshot



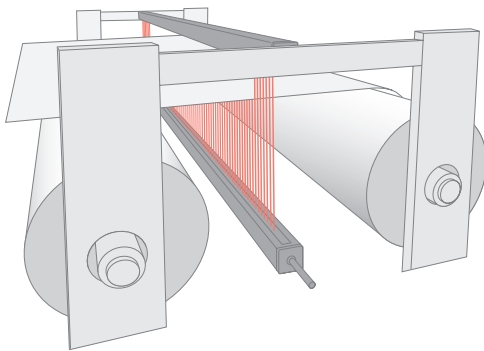
Applications



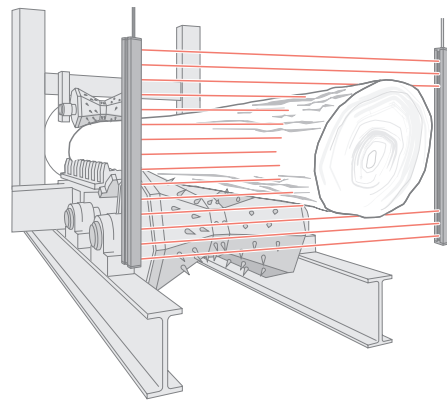
METAL & STEEL
Hold pattern inspection



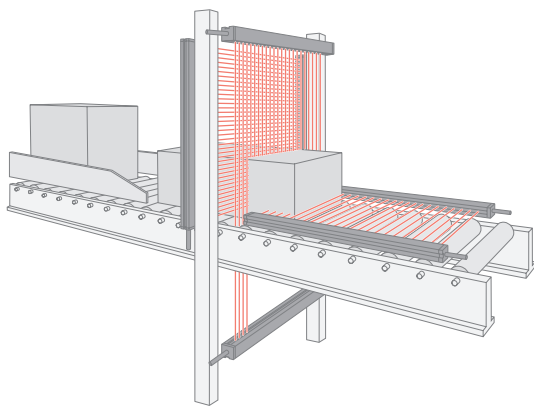
MANUFACTURING
Carpet web detection



PAPER & PRINTING
Web edge guide and control



FORESTRY
Log measuring



PACKAGING
Box 3D measuring