

Description

- Operation mode and max sensing range:
Thru-beam: 5 m
Diffuse proximity: 0,4 m
- 12 or 24 V dc supply voltage
- 1 relay output acc. to UNI 8612
- Power and output indicators
- Screw terminals connection



The PA 09 is a 1-channel photoelectric amplifier, which is to be used in conjunction with a set of remote transmitter LT and receiver LR from the series 101.

This amplifier series is low cost, designed especially for the elevator and door industries, offering a relay output, designed according to the UNI 8612 standard whereby 2 relays are mounted in series.

Technical Data	
Supply voltage	12 V dc or 24 V dc
Voltage tolerance	@ 12 V dc -10 / +20 %
	@ 24 V dc -15 / +20 %
Current consumption	Max. 2 VA
Output relay	24 V dc / 2A
Power on indicator	Green LED
Output indicator	Yellow LED
Signal status indicator	-
LR sensor failure indicator	-
LT sensor failure indicator	-
Sensor monitor LED drive	-
Hysteresis	Approx. 30 %
Operation frequency	10 Hz
Response time t_{ON} / t_{OFF}	50 ms / 50 ms
Delay t_{ON} / t_{OFF}	-
Housing material	Polystyrene

Environmental Data	
Temperature, operation	- 10 to +50 °C
Temperature, storage	- 40 to +80 °C
Sealing class	IP 40
Approvals	CE

Available Types

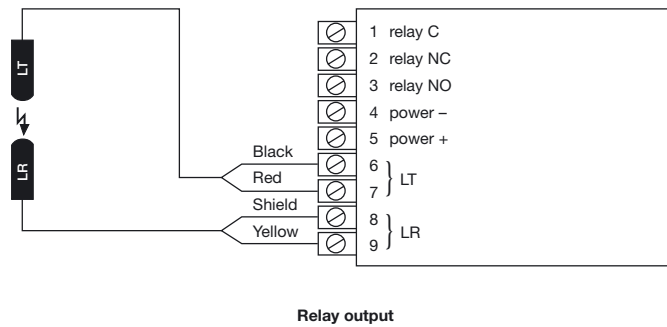
Model	Connection	Supply Voltage	12 V dc	24 V dc
		Output	Order Reference	
PA 09 B	Screw terminals	Relay	PA 09 B 504	PA 09 B 503

Note: Remote sensors to be ordered separately.

Applicable Remote Sensors and Ranges

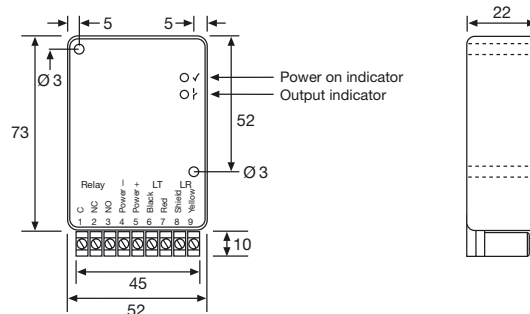
Series	Thru-beam	Diffuse Proximity
101	5 m	0,4 m

Wiring Diagrams



Relay output

Dimensions and Descriptions



PA 09 B

(Units in mm)

Telco reserves the right to change specifications without notice.